



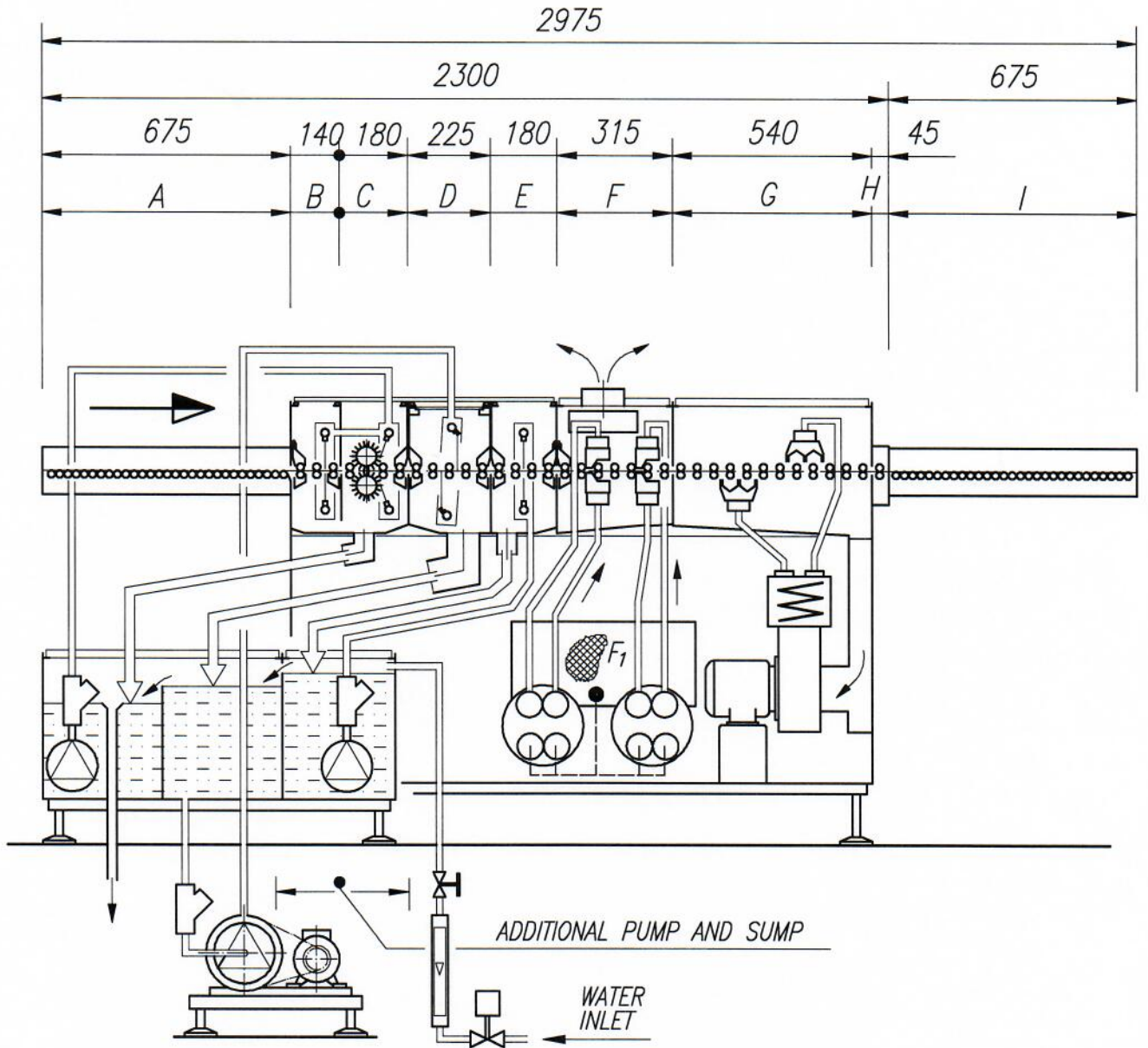
1.2 Specifications

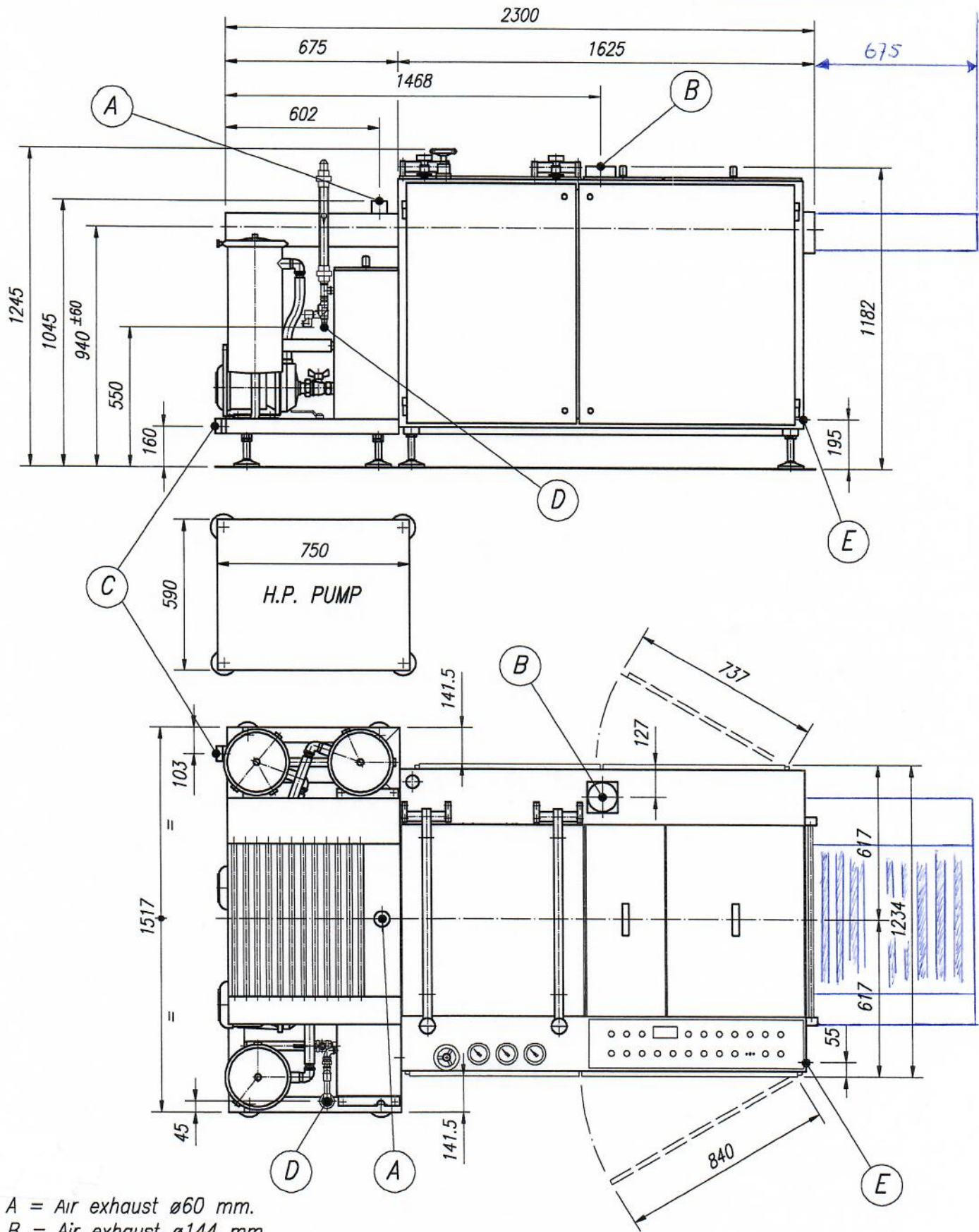
- Maximum panel width: 610 mm (24")
- Maximum panel thickness: 3.6 mm
- Minimum panel thickness: 0.4 mm
- Minimum panel length: 100mm with brush version - 50 mm without brush version
- Conveyor speed: 0.2 to 5,5 m/min.
- Work space: see drawing work space and connection
- Overall dimensions: width 1400 mm
length 2300 mm
height 1200 mm
- Approximate net weight: 700 kg
- Approximate gross weight: 800 kg
- Electrical power supply: see enclosed wiring diagram
- Water supply: Ø 1" G
- Water consumption: approximately 1,5 m³/hour at main pressures
(2 to 3 kg/cm²) per spray bar.

DWG. 08083

SCHEMATIC CROSS SECTION

COMPREX-SBW/50 SHD/A-A
WITH BRUSHES ADD. PUMP
AND SUMP - EXIT CONV.





- A = Air exhaust $\varnothing 60$ mm.
- B = Air exhaust $\varnothing 144$ mm.
- C = Water drain $\varnothing 2$ "G.
- D = Water inlet $\varnothing 20$ mm.
- E = Power supply
 - SHD/A 21 kW - 48.2 A
 - SHD/A-A 26.8 kW - 61.4 A

