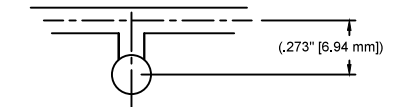
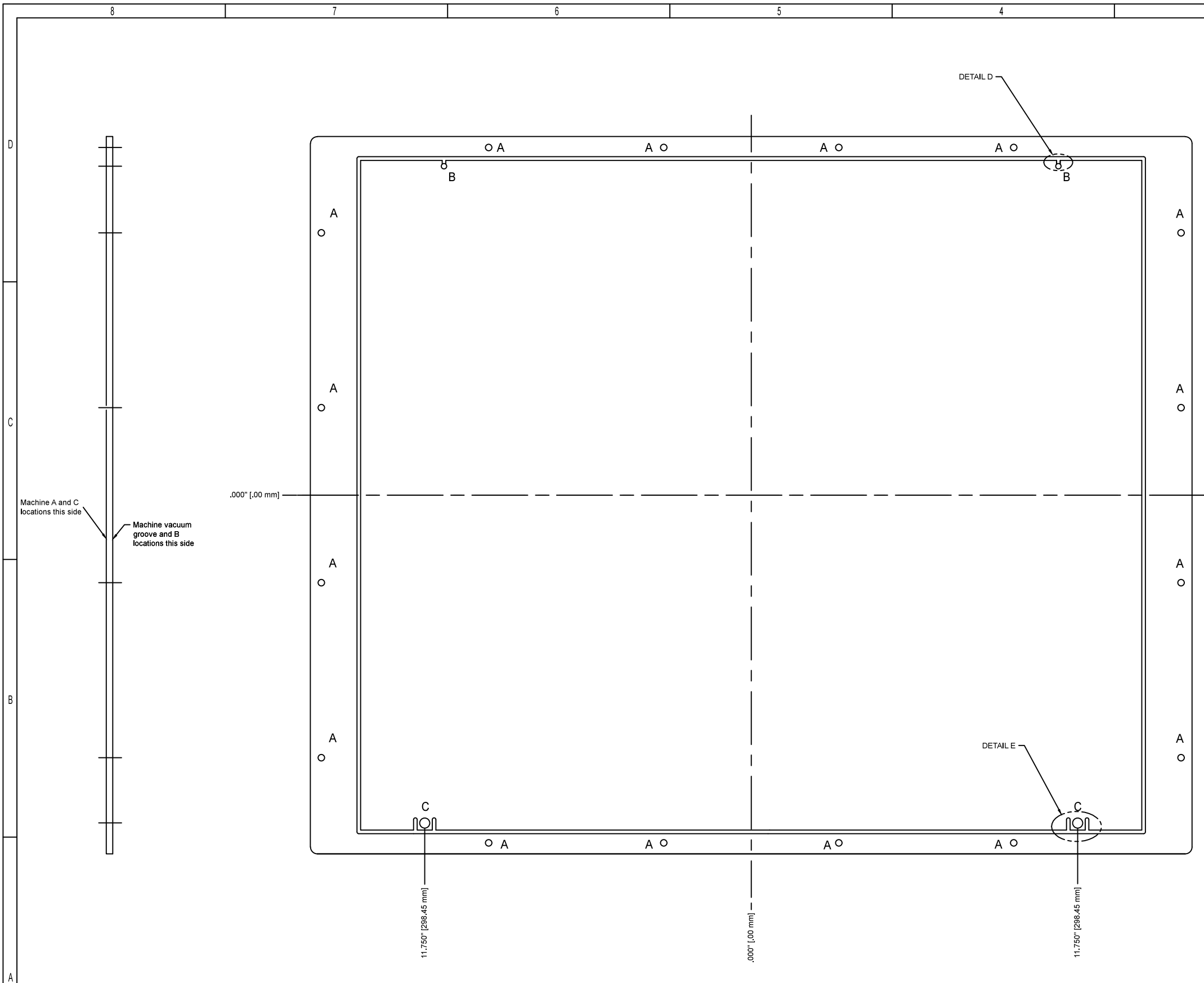
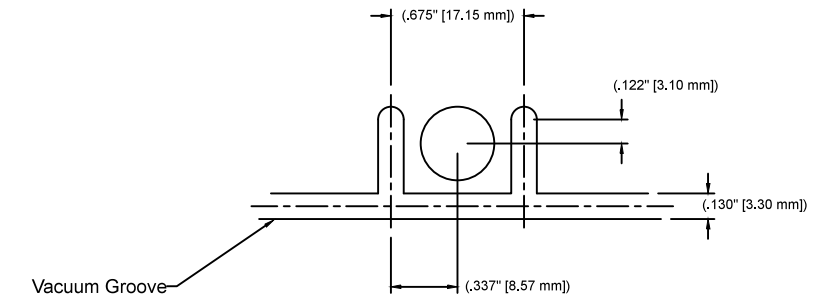


REVISIONS			
REV	DESCRIPTION	INCRP	APPROVD
A	RELEASED PER ECO# 7113	9/26/01	RWW



**DETAIL D**  
**Vacuum Port**  
**SCALE: 4:1**



**DETAIL E**  
**Vacuum Groove**  
**SCALE: 4:1**

- A** 16X .235 CBORE  
.126 DP
- B** 2X Ø5.08 mm [.200]  
THROUGH HOLE
- C** BOTTOM AND TOP GLASS 2X Ø 9.525 mm [.375]

NOTES: UNLESS OTHERWISE SPECIFIED

THIS INFORMATION IS CONFIDENTIAL AND PROPRIETARY TO THE OLEC CORPORATION AND SHALL NOT BE REPRODUCED OR DISCLOSED TO ANYONE OTHER THAN OLEC EMPLOYEES WITHOUT WRITTEN AUTHORIZATION FROM OLEC CORPORATION.	UNLESS OTHERWISE SPECIFIED:	APPROVALS	DATE	<b>OLEC</b> CORPORATION IRVINE, CA TITLE BUREAU, Accutray Glass Proposal Film size 25" x 29" [635 x 736] SIZE PART/DWG. NO. 18D7799XXX SCALE 1/2 SHEET 1 OF 1
	1 DIMENSIONS ARE IN MM	DRAWN	9.21.2001	
	2 DWG. PER ANSI Y14.5	CHECKED		
	3 TOLERANCES ARE: ANGLES .5 DEG -XA.1 .XXX3 .XXX6.010 -XXX4.0000	DESIGNER	6.9.2001	
	4 USE MINIMUM BEND RADI AND MINIMUM BEND RELIEF	APPROVED		
5 REMOVE ALL BURRS AND BREAK SHARP EDGES .005 - .010	DO NOT SCALE DRAWING			