



Environmental Conditions

- Temperature : $21\text{ }^{\circ}\text{C} \pm 1\text{ }^{\circ}\text{C}$ ($70\text{ }^{\circ}\text{F} \pm 2\text{ }^{\circ}\text{F}$)
- Temperature rate of change: $1\text{ }^{\circ}\text{C}$ ($2\text{ }^{\circ}\text{F}$) per hour
- Relative Humidity: $50\% \pm 2\%$ - no condensation
- Humidity rate of change: 6% per hour

Electrical Power

The SILVERWRITER MF needs two main power inputs: one ‘normal’ and one clean = UPS.

An UPS (= battery backup) is needed to be able to properly shutdown the machine in case of a power cut. A true-UPS (= Power conditioner + battery backup) is needed in case of unclean main supply (spikes, surges, ...) or frequent thunderstorms in the area.

- Main input: 230V +10%/-10% AC single phase + ground, 1200 VA, line to be protected by 6A fuse.
- UPS input: 230V +10%/-10% AC single phase + ground, 1000 VA, line to be protected by 10A fuse.
- Heat dissipation: 2000 Watt (1725 kcal/h)

Remark: The PowerRip is powered separately (see earlier)

The vacuum pump is powered separately with 3-phase power (see further)

Air Supply

- Compressed air: minimum 6 bar (87 PSI) and a maximum of 10 bar (145 PSI)
- Absolutely oil and water free, 0.01 mg/m³ at pressure dew point. A 3 µm (0.12 mil) filter for dust particles should be installed.
- 2500 l (88 ft³) /h minimum.
- An oil and water filter should be installed on the wall close to the entry of the plotter. The maximum distance is 3 meters. This unit should be inspected on a monthly basis!

Dimensions.

Dimensions Unpacked

Height:	1863 mm	73,3 inch
Front width:	1600 mm	63,0 inch
Front width + console:	1725 mm	67,9 inch
Front width + drawer open:	2250 mm	88,6 inch
Depth:	2387 mm	94,0 inch
Servicing height:	2400 mm	94,5 inch
Depth towards the film processor:	2537 mm	99,9 inch

Dimension of the Shipping Box

Crating of the SILVERWRITER

Height:	2079 mm	81,9 inch
Depth:	2766 mm	108,9 inch
Width:	2010 mm	79,1 inch
Weight:	± 2000 kg	± 4400 lbs.

Return Packing

Height:	760 mm	29,9 inch
Depth:	2766 mm	108,9 inch
Width:	2010 mm	79,1 inch
Weight:	± 500 kg	± 1100 lbs.

Note: *The shipping box can only be lifted from the side. So DO NOT fork from the front or back of the shipping box! You need a forklift of at least 2000 kg (4400 lbs.) with long blades.*

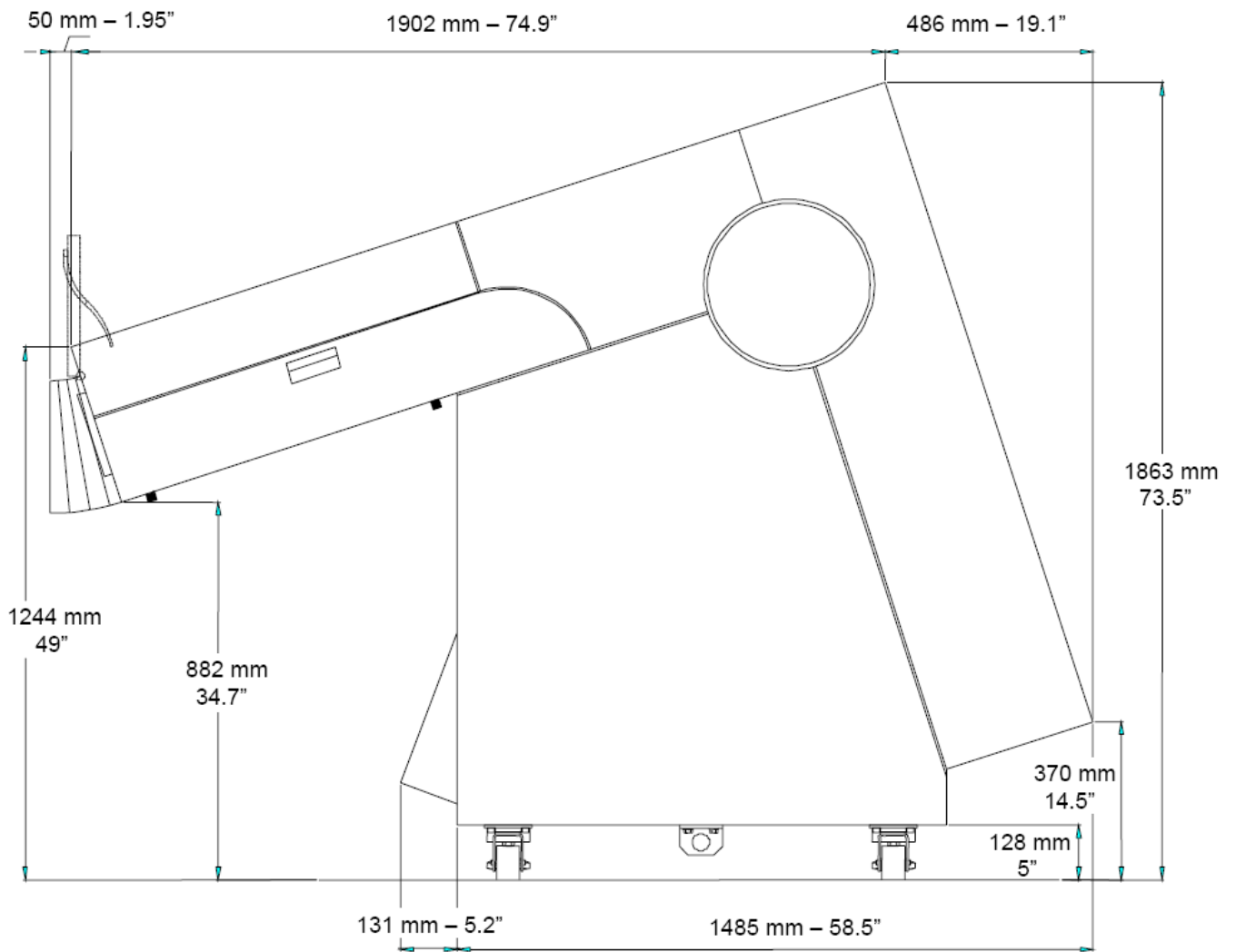
The construction of the shipping box allows the SILVERWRITER to be taken off the platform independently or by use of a forklift truck. Then the SILVERWRITER can be moved using the four integral wheels.

The transport box must be returned to Barco ETS.

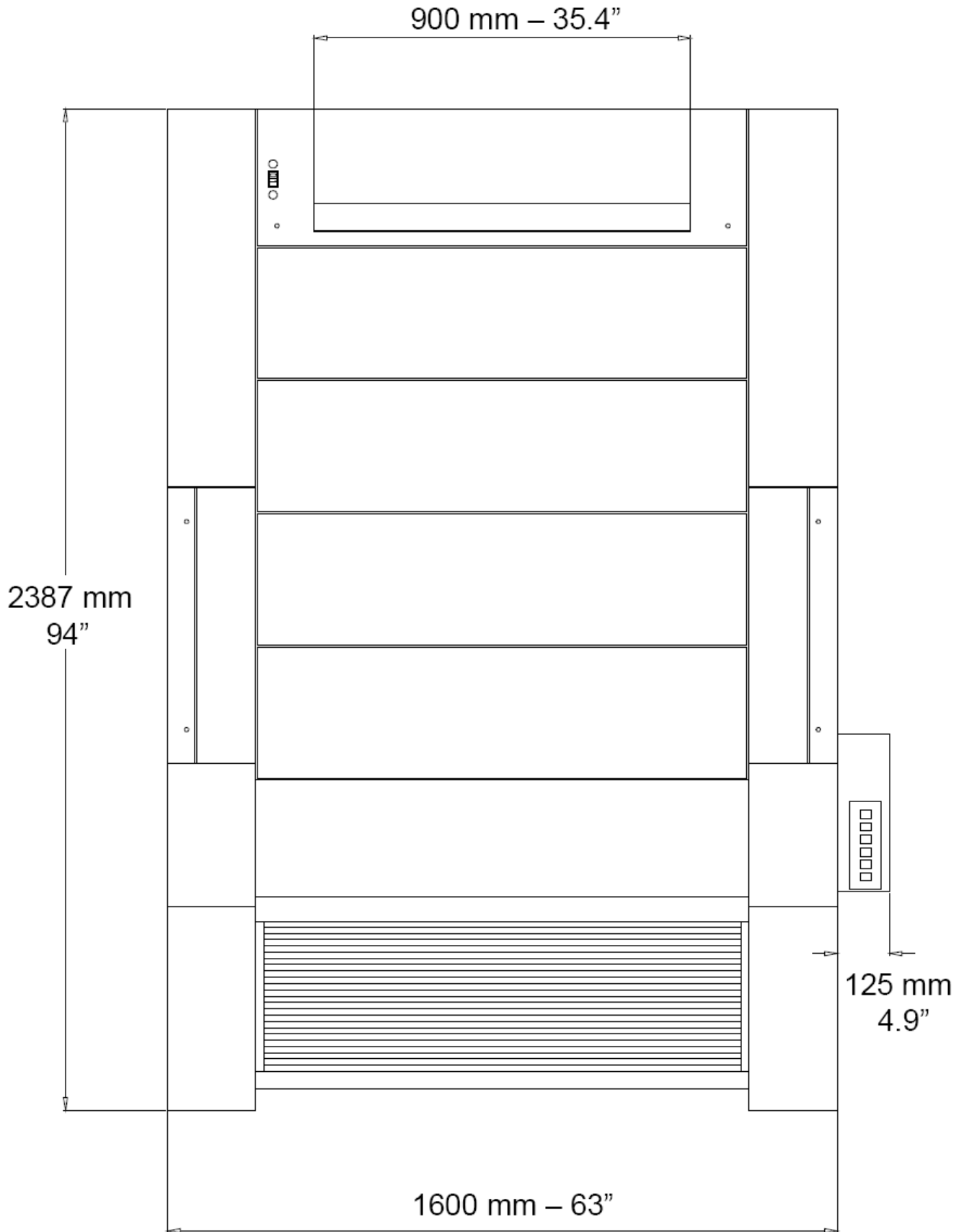
Weight

± 1500 kg (± 3300 lbs.) divided over four round feet of Ø 100 mm.

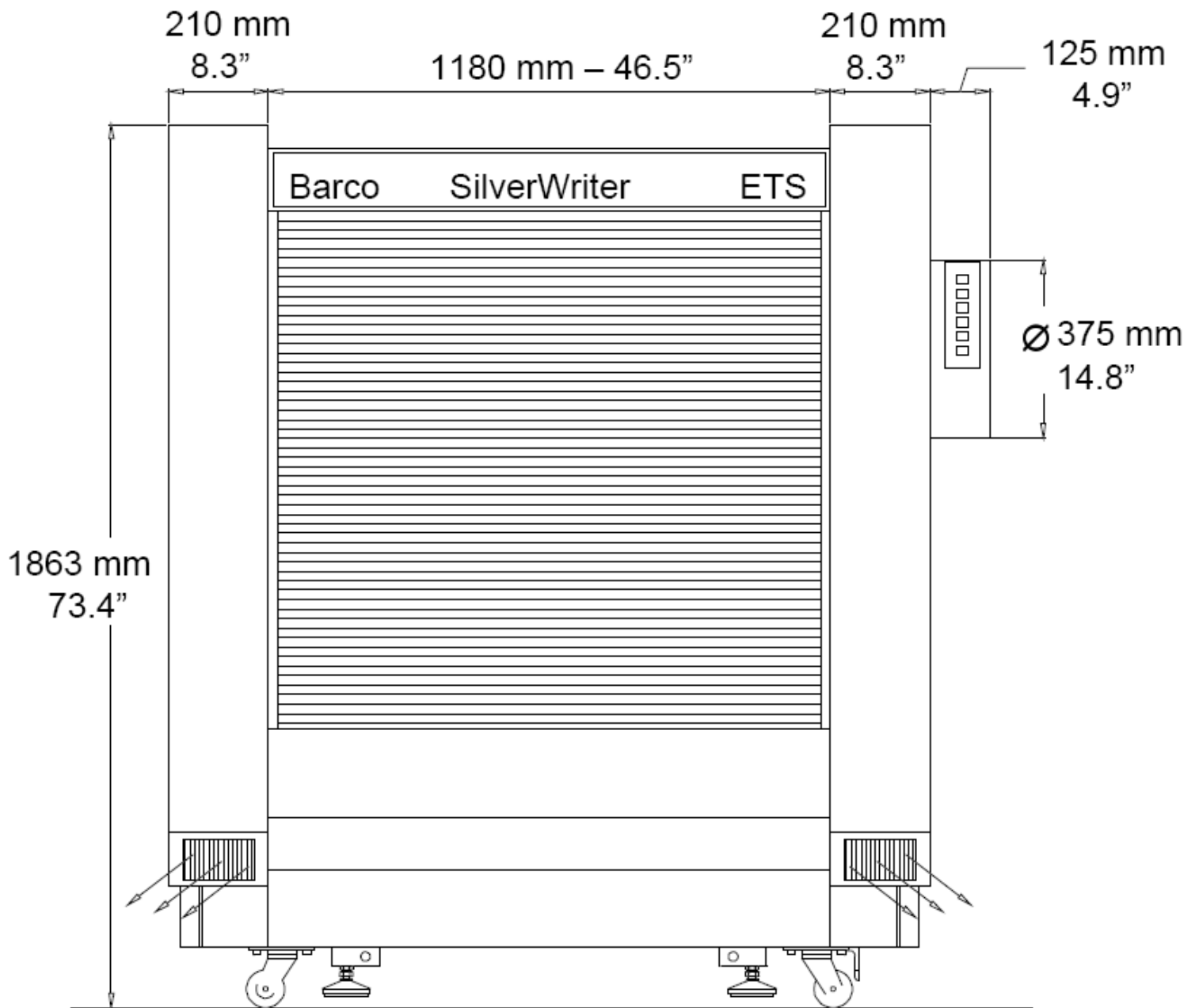
Left View



Top View



Front View



Back View

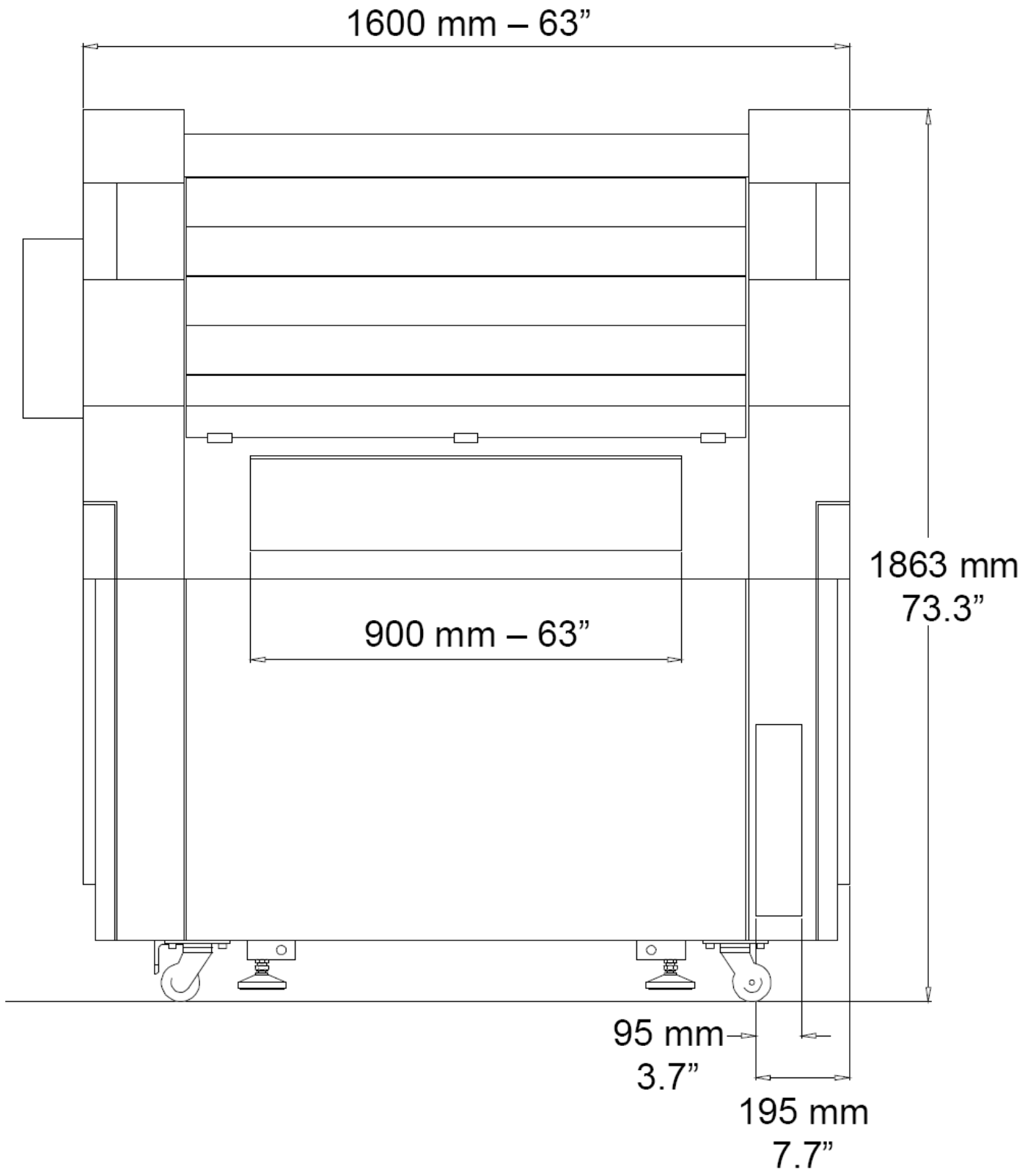
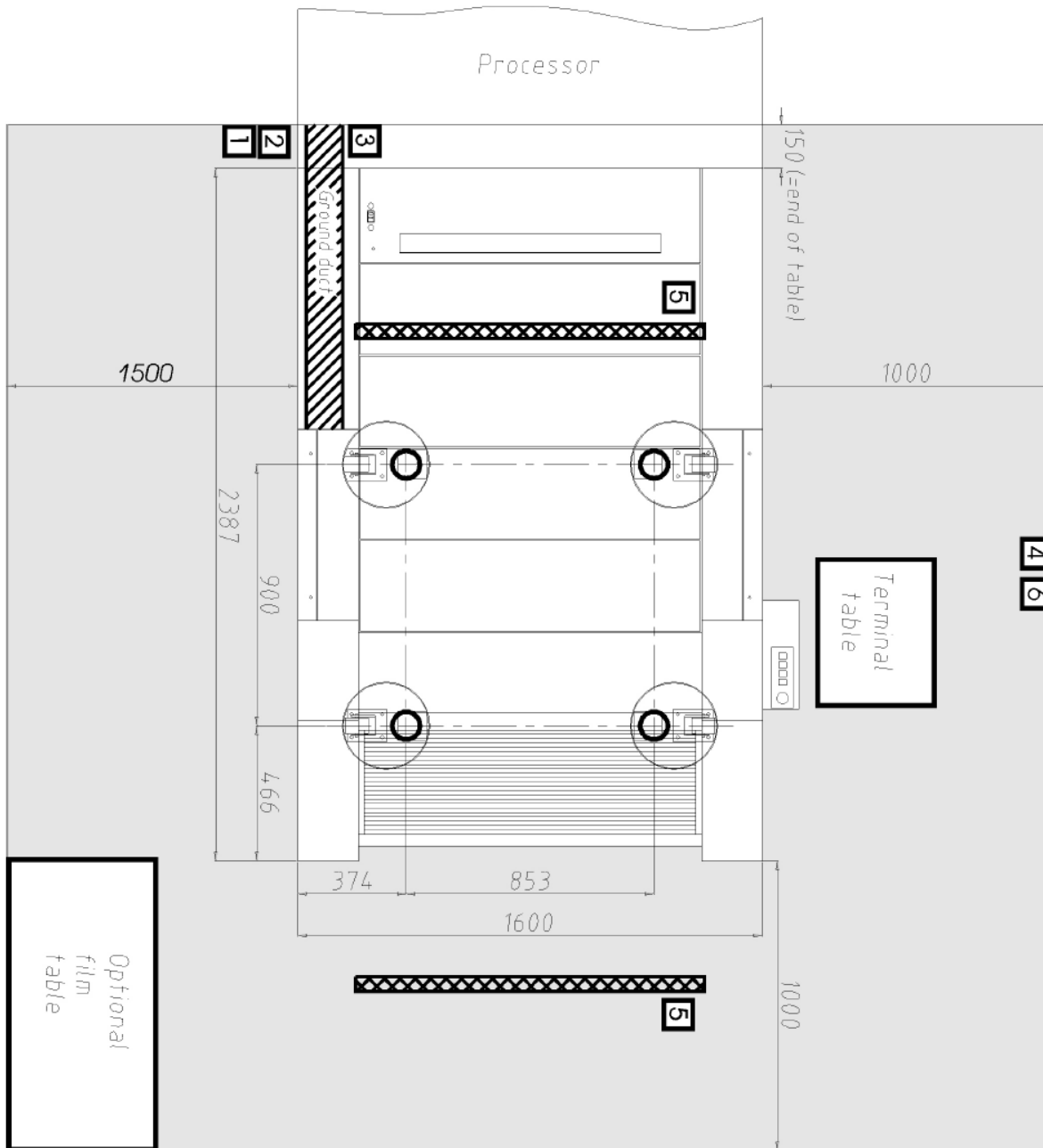


Image Writer Darkroom Layout



Note: All dimensions shown are in millimetres. To convert millimetres into inches, multiply by 0.03937.

1. Place of the extra oil/water filter unit. It is also the start point for the air pressure cable that is delivered with the Image Writer. Maximum distance to the connection plate of the Image Writer is 3 meters.
2. Place of the 2 x 230V outlets. One of the outlets should be connected to an UPS system.
3. Place where the vacuum hose leaves towards the vacuum pump. The maximum length of the vacuum hose is 20 meters.
4. Outlets for the PowerRIP PC, monitor and modem.
5. Suggested places for the safe lights. The standard length of the lamps is 120 cm, but they are also available in 60 cm and 150 cm.

6. 2 Telephone wires are needed. One for modem connection (ISDN or Analog telephone line). Another for fast diagnostics on the machine.

There is also need for a table for the PowerRIP PC. The table may be placed anywhere as long as the length of the serial cable is less than 4 meters. Foresee also the modem and telephone wires at the same location.

Do not forget to foresee a table or place to put one or more film boxes.

Place of the Vacuum Pump Box

Because of the heat it produces, it is necessary to be placed outside the darkroom, but in a room with a low dust level. The vacuum pump box can not be placed outside a building to avoid condensation and oxidation.

The distance between the Image Writer and the vacuum pump box must be less than 15 meters!

Our engineers will install the vacuum pump box during installation time. Make sure that the vacuum hose, power cable and command cable are installed prior to the installation of the Image Writer. Barco Graphics supplies those materials after the Pre-Installation visit, done by one of our engineers.

The vacuum pump needs it's own 3-phase power line.

Vacuum Pump Box Environment

It should be noted that the temperature specifications for the vacuum pump must be fulfilled ($< 25\text{ }^{\circ}\text{C}$). The pump produces a lot of heat. The exit of the vacuum pump box may be extended towards the outside this by means of a metal tube of 200mm diameter and a maximum length of 1 meter.

When it is installed in a small room, well isolated for the noise, the temperature in that room will rapidly increase to a value higher than the highest allowable temperature.

When airflow equipment is installed, verify that the incoming air temperature is lower than the vacuum pump environmental temperature.

Never put any items on top of the vacuum pump box for reasons of overheating.

This requirement may be fulfilled in the winter but can it also be fulfilled during a hot summer?

Customer Preparations Prior to Installation

- All construction work to get the Image Writer room and vacuum pump box room ready should be finished. The Image Writer room must be cleaned from dust as well before the installation time.
- The ground must be stable and vibration free. In case of a raised floor, the reinforced construction must be finished. Also the special preparation to get the Image Writer on its place must be there.
- The path for transporting the Image Writer from the crate to the Image Writer room must be free from any obstacles. The Image Writer dimensions are:

width =	1725 mm
normal depth =	2358 mm
minimal depth =	1500 mm
height =	1825 mm

- Air conditioning in the Image Writer room must be installed and working. It should be capable to handle 4 kW of heat dissipation. There should be a very good airflow.
- Installation of minimum four 230V mono-phase outlets in the Image Writer room on the indicated places.
- A cable or ground duct on the indicated place for the cables and vacuum hose leaving the Image Writer. The minimum height of the duct is 65 mm.
- Installation of enough daylight lamps so that the room is illuminated enough like an office environment.
- Installation of the safelight and on/off switch.
- The vacuum hose and command cable must be laid between the Image Writer room and the vacuum pump box room on the indicated places.
- The compressed air must be present at the indicated place. The compressed air line must end with the delivered female connector. Also the extra oil/water filter must be installed in the Image Writer room.
- A table for the POWERRIP PC monitor, keyboard and mouse must be present.
- Film of the correct and size must be available. The processor must be installed and working.
- 3-phase power line at the location of the vacuum pump